



Features and Benefits

- Blend the thickest ingredients to a perfect consistency every time with a 3.5 HP* high performance motor
- Customize 4 reprogrammable beverage stations to save time – Just choose a program and walk away
- A built-in feedback circuit keeps RPMs high, and your customers from waiting
- Create your ideal frozen drink or smoothie with the adjustable speed controls
- Easy-to-clean electronic membrane keypad with backlit LCD screen
- Dual pulse functions allow you to add additional ingredients or restore settled drinks
- Limited Three Year Motor and Two Year Parts and Labor Warranty



*Peak input HP



Heavy-Duty 3.5 HP* • *MX1300XTP*



Xtreme Hi-Power Blender Series MX1300XTP



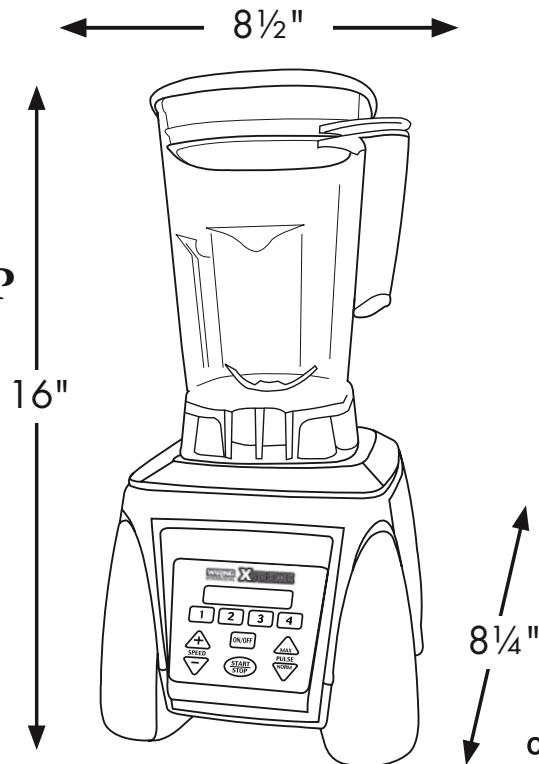
Specifications

| Item | Electrical | Listings | RPM (bare motor) | Dimensions (H" x W" x D") | Warranty |
|-----------|-------------------------------|----------|---------------------|------------------------------|--|
| MX1300XTP | 120 Volt, 13 Amp, 50/60 Hz | ETL,NSF | 45,000 | 16"x8½"x8¼" | Limited 3 Year Motor and 2 Year Parts and Labor |

Ordering Information

| Description | Catalog # | Std Pkg. | Ship Wt. (Lbs.) | Cubic Feet | UPC Code |
|--|-----------|----------|--------------------|------------|--------------|
| Xtreme Hi-Power Blender with 48 oz. Polycarbonate Container | MX1300XTP | 1 | 15 lbs. | 0.92 | 040072006845 |
| 48 oz. Polycarbonate Container | CAC93 | 1 | 3.5 lbs. | 0.33 | 040072004575 |
| Sound Enclosure for Xtreme Series 48 oz. Containers | SE500 | 1 | 5 lbs. | 0.95 | 040072007668 |

MX1300XTP



To order Cappuccine products or Waring Commercial Xtreme Blenders:
1-800-511-3127